

BLADE

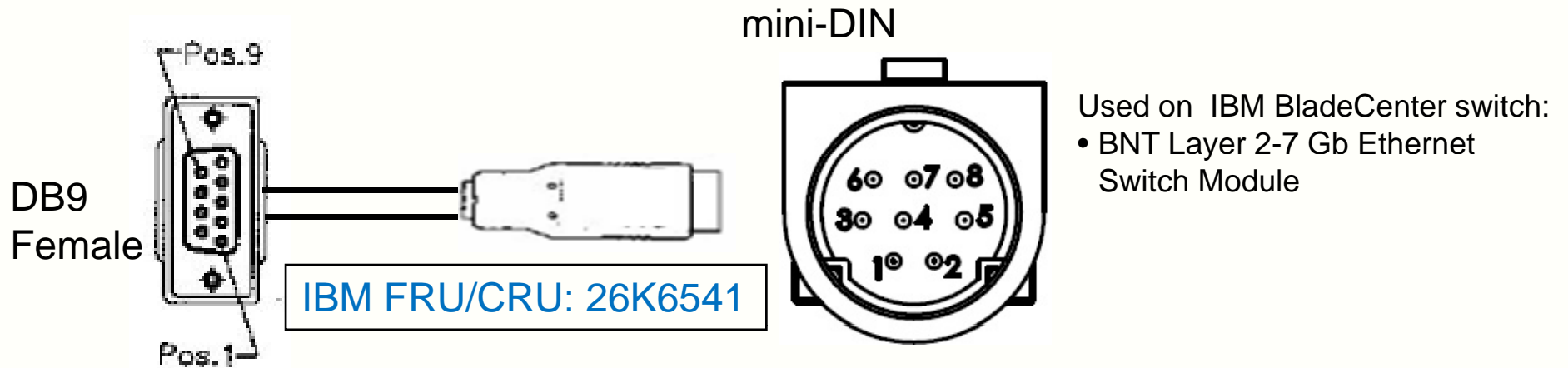
NETWORK TECHNOLOGIES



Console Cables For BNT switches

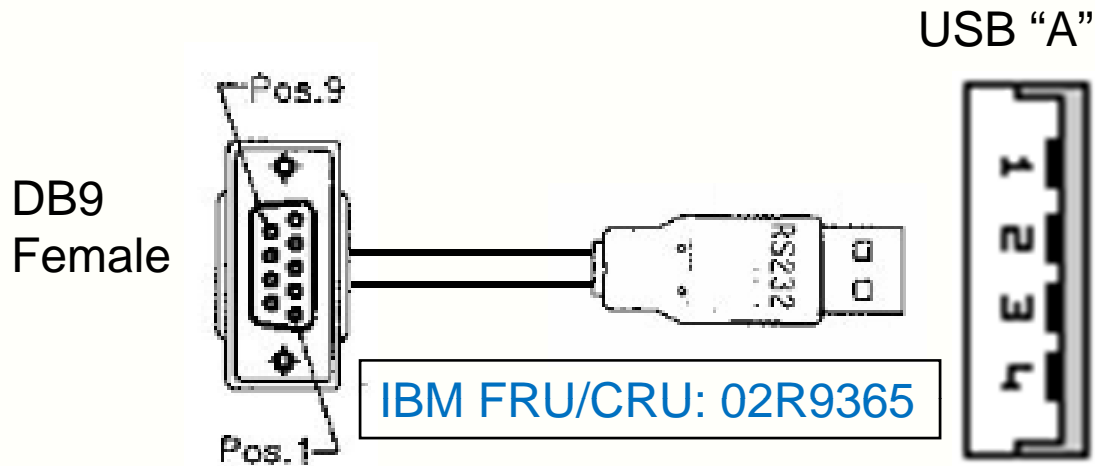
Matt Slavin
Aug 11, 2009

DB9 to mini-DIN pin out



DB9	Name	Wire Flow	Comment	Name	Mini-DIN
5	Common	=====		Ground	4
3	TD	=====		RD	3
2	RD	=====		TD	5
1	DCD	┌───┐	Pins 1, 4 and 6 looped on DB9 end		
4	DTR	├───┘			
6	DSR	└───┘			
7	RTS	┌───┐	Pins 7, 8 looped on DB9 end		
8	CTS	├───┘			

DB9 to USB-A-RS232 pin out

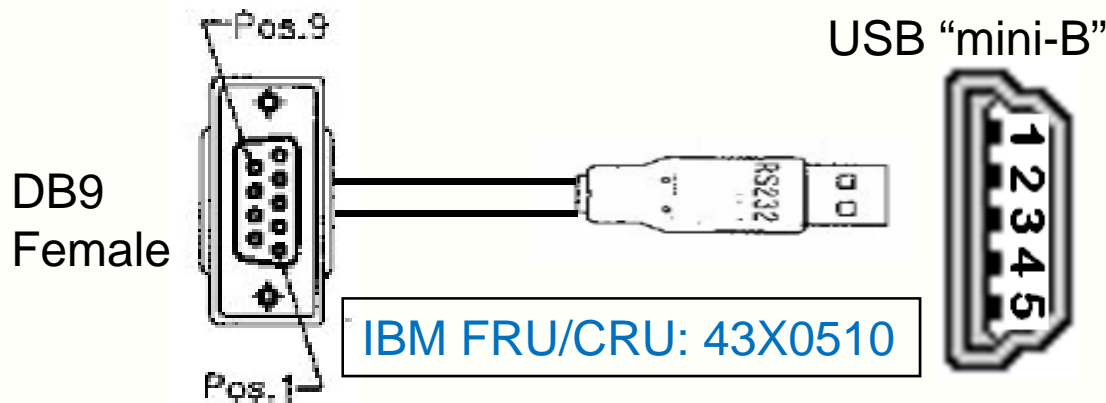


Used on IBM BladeCenter switches:

- BNT L2/3 Copper GbESM
- BNT L2/3 Fiber GbESM
- Nortel 10G Uplink ESM

DB9	Name	Wire Flow	Comment	Name	USB
5	Common	—————		Ground	4
3	TD	—————		Data -	2
2	RD	—————		Data +	3
N/A	N/A	N/A	(not connected)	+5V	1
1	DCD	┌───┐	Pins 1, 4 and 6 looped on DB9 end		
4	DTR	├───┤			
6	DSR	└───┘			
7	RTS	┌───┐	Pins 7, 8 looped on DB9 end		
8	CTS	└───┘			

DB9 to USB-mini-B-RS232 pin out



Used on IBM BladeCenter switches:

- BNT 1/10Gb uplink ESM
- BNT 6-port 10Gb ESM
- BNT 10-port 10Gb ESM

Used on Top of Rack switches:

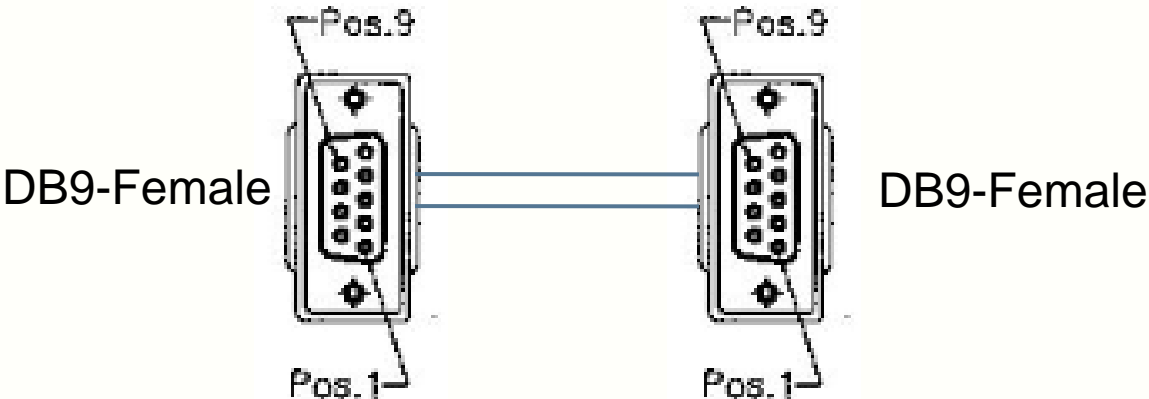
- RackSwitch G8000 – 48 port 1/10G Aggregation Switch
- RackSwitch G8124 – 24 port 10GE SFP+

Blade Part number for this cable:

- [BN-SB-SRL-CBL](#)

DB9	Name	Wire Flow	Comment	Name	USB
5	Common	=====		Ground	5
3	TD	=====		Data -	2
2	RD	=====		Data +	3
N/A	N/A	N/A	(not connected)	+5V	1
N/A	N/A	N/A	(not connected)	ID	4
1	DCD	┌───┐	Pins 1, 4 and 6 looped on DB9 end		
4	DTR	├───┘			
6	DSR	└───┘			
7	RTS	┌───┐	Pins 7, 8 looped on DB9 end		
8	CTS	├───┘			

DB9 to DB9 Null Modem pin out



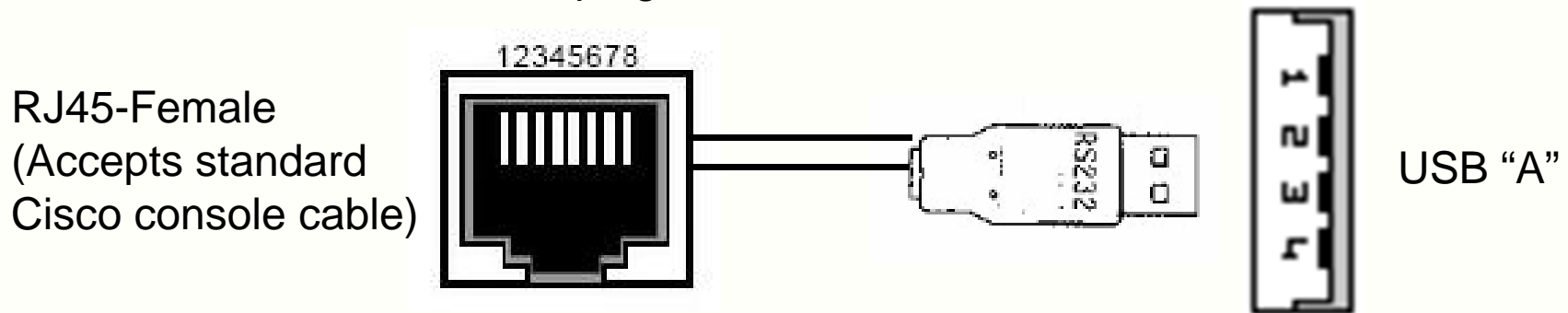
Used on the following switches:

- RackSwitch G8100 – 24 port 10G CX4
- HP GbE2c Layer 2/3
- HP 1:10Gb BL-c
- HP 10Gb BL-c

DB9	Name	Wire Flow	Comment	Name	DB9
			(not connected)		1
3	TD	—————		RD	2
2	RD	—————		TD	3
			(not connected)		4
5	Common	—————		Common	5
			(not connected)		6
8	CTS	—————		RTS	7
7	RTS	—————		CST	8
			(not connected)		9
Shell	Ground	—————			Shell

RJ45 to USB-A-RS232 pin out

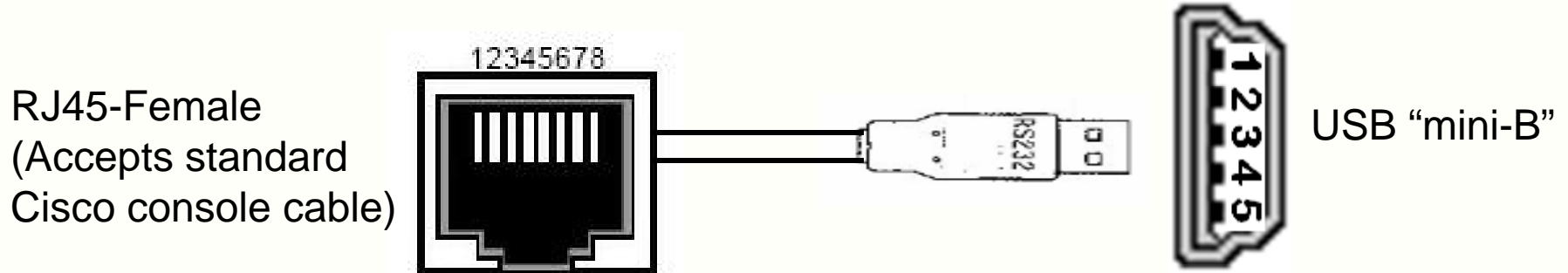
This cable allows a user to plug a Cisco console cable into a BLADE switch



RJ45	Name	Wire Flow	Comment	Name	USB
4	Ground				
5	Ground		Pin 4 connected to Pin 5 on back of RJ45	Ground	4
6	RXD			Data -	2
3	TXD			Data +	3
N/A	N/A	N/A	(not connected)	+5V	1
1			Pin 1 connected to Pin 8 on back of RJ45 (to loop RTS and CTS)		
8					
2	DTR		Pin 2 connected to Pin 7 on back of RJ45		
7	DSR				

RJ45 to USB-mini-B-RS232 pin out

This cable allows a user to plug a Cisco console cable into a BLADE switch



RJ45	Name	Wire Flow	Comment	Name	USB
4	Ground		(not connected)	ID	4
5	Ground		Pin 4 connected to Pin 5 on back of RJ45	Ground	5
6	RXD			Data -	2
3	TXD			Data +	3
N/A	N/A	N/A	(not connected)	+5V	1
1			Pin 1 connected to Pin 8 on back of RJ45 (to loop RTS and CTS)		
8					
2	DTR		Pin 2 connected to Pin 7 on back of RJ45		
7	DSR				